

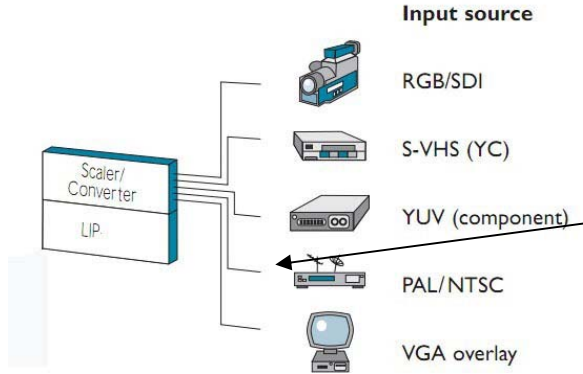
Ph6 smd outdoor led display



We developed PH6 SMD outdoor led display; it is the ideal LED product for high quality small to large sized outdoor applications. The colour contrast is promoting, each pixel become more smaller, so it has better image quality. This is ideally suited to outdoor digital signage, where high impact is needed.

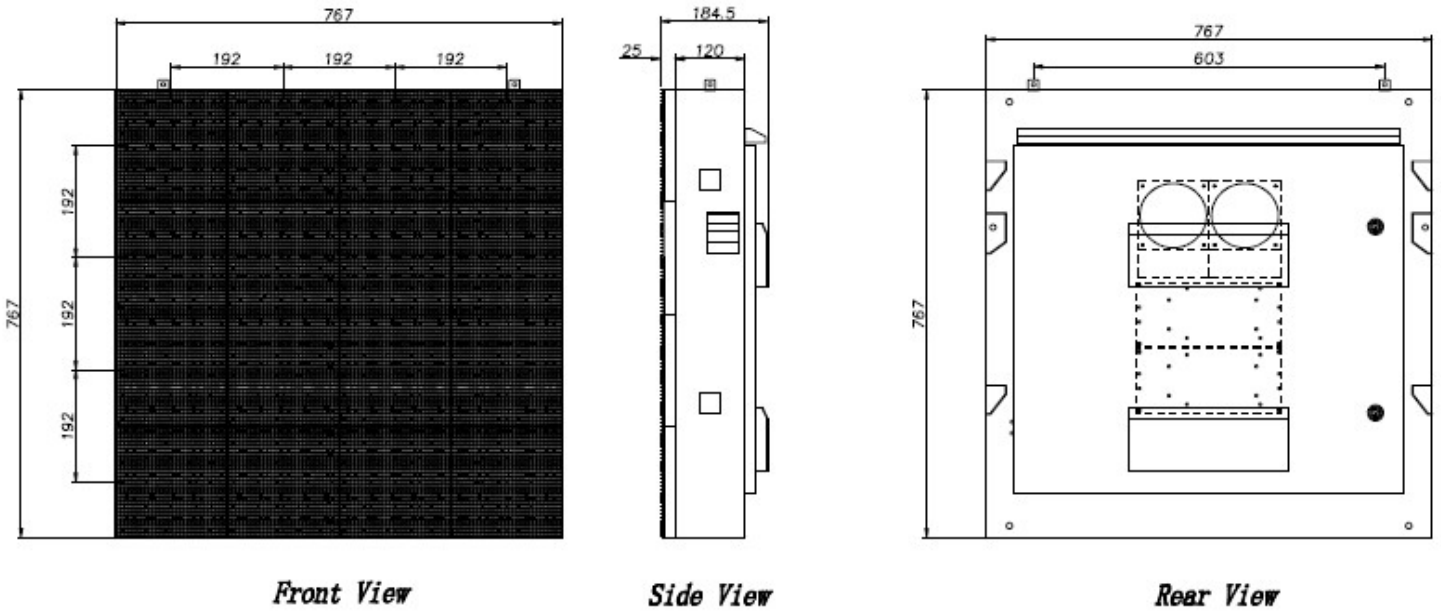
PH6 smd outdoor led display

Configurations



Quick Reference Guide

PH6 smd led display



- Pixel Pitch:6mm
- Density of pixel: 27778pixels/m²
- Brightness: >5000 cd/m²
- Viewing angle: H:120° V:120°
- LED specification: smd 3535
- Pixel configuration: 1R1G1B
- Module size: 192mm x 192mm
- Module Pixel density: 32 x 32dots
- Cabinet size:768 x 768mm

- Driving method: 1/8scan, constant current
- Refresh rate: ≥ 1000 Hz
- Gray/Colour: 4096 grades Gray, 1 billion colors
- Processing depth 14bit
- Control system: Synchronous/off-line control system
- Max. power consumption: 700W/m²
- Lifetime: >100000hours
- MTBF: >5000hours
- Dead dot rate: <0.0001
- Temperature Range: Storage: - 20°C-65°C; Working: - 20°C~50°C
- Adopted Control System: PCTV Board + DVI Board + Control Board + Network cable Transmission
- Video Signal: RF、S-Video、RGB、RGBHV、YUV、YC、COMPOSITION etc
- Brightness adjustment: Manual adjustment: 256 levels for R, G, B ,
Automatic adjustment: 256grades for each color
- LED parameter: R: (625-630nm) G: (520-525nm) B: (465-470nm)
R: IV(650-900mcd) G: IV(1400-1800mcd) B: IV(280-350mcd)

PH6 outdoor led display

Standard 4:3 aspect ratio(16:9 aspect also possible)						Average power consumption				
						Panel		Europe(240V)		
P6 panel	panel total	size (m ²)	Dimensions w x h(m) w x h(ft)		Pixel resolution w x h	Total weight kg	Total (watts)	I Phase (amps)		
1	1	0.59	0.768x0.768		128x128	25	400	1.8		
2x2	4	2.36	1.536x1.536		256x256	100	1600	7.2		
3x3	9	5.30	2.304x2.304		384x384	225	3600	16.2		
4x4	16	9.42	3.072x3.072		512x512	400	6400	28.8		
5x5	25	14.73	3.84x3.84		640x640	625	10000	45		

- Based on average power consumption.
- Alternative processing systems are available for larger screen sizes.